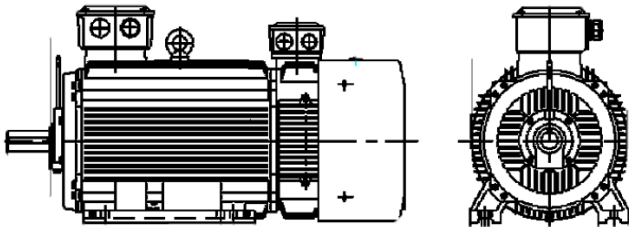




SlipRing Electric Motors



SPLIPRING

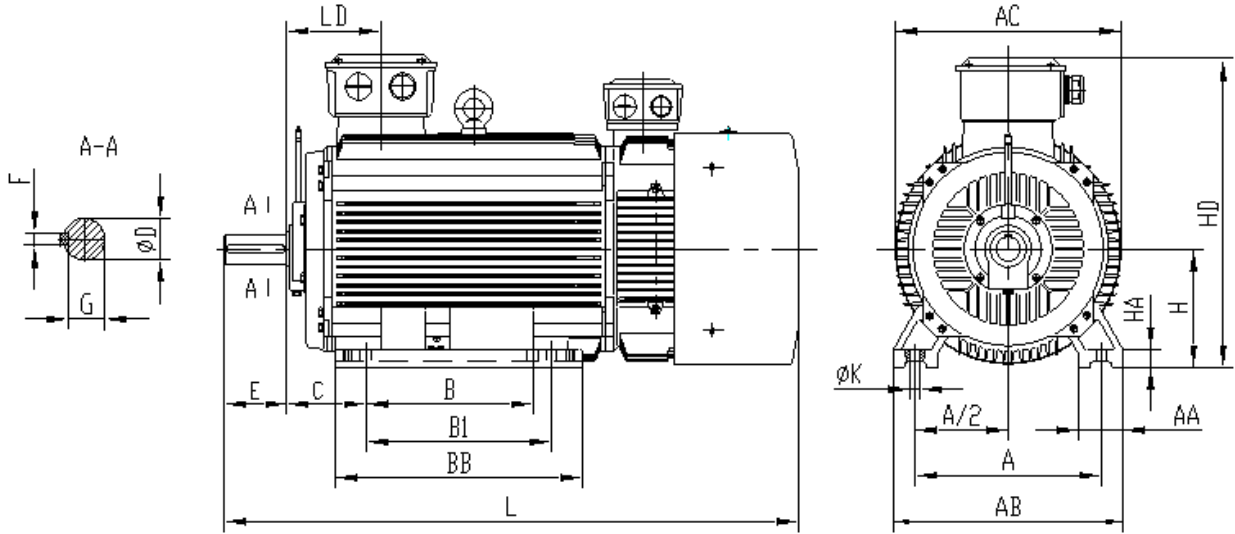




FR2 SERIOUS H280-355 400V IP55 DATASHEET

Motor Type	Rated Power	Current	Rated Speed	Efficiency	Power Factor	Rotor		Maximum Torque	Weight
						Voltage	Current		
	kW	A	r/min	$\eta\%$	$\cos\Phi$	V	A	Rated Torque	kg
FR2-280S-4	55	98	1480	91	0,89	291	118	3,0	670
FR2-280M-4	75	134	1480	92	0,88	397	116	3,2	740
FR2-280S-6	37	68	985	92	0,86	259	88	3,2	605
FR2-280M-6	45	81	985	92	0,87	300	92	3,0	640
FR2-280S-8	30	65	735	91	0,73	215	85	3,0	600
FR2-280M-8	37	80	735	91	0,73	261	87	3,2	640
FR2-315S-4	90	151	1480	94,5	0,91	215	260	2,6	981
FR2-315M-4	110	189	1485	93,5	0,9	412	162	3,2	1090
FR2-315L-4	132	222	1485	94,5	0,91	496	160	3,2	1200
FR2-315LX-4	160	272	1485	94,5	0,9	620	155	3,2	1250
FR2-315S-6	75	135	990	93,5	0,86	298	153	2,6	1025
FR2-315M-6	90	163	990	93,5	0,85	225	245	2,6	1100
FR2-315L-6	110	194	990	94	0,87	448	148	2,6	1200
FR2-315S-8	55	103	740	93	0,83	265	125	2,6	965
FR2-315M-8	75	139	740	93,5	0,83	315	145	2,6	1041
FR2-315L-8	90	167	740	93,5	0,83	385	140	2,6	1131
FR2-355M-4	200	338	1485	95	0,9	373	324	3,0	1910
FR2-355L-4	250	425	1485	95,5	0,89	428	349	3,0	1995
FR2-355LX-4	315	529	1485	95,5	0,9	428	444	2,7	2040
FR2-355M-6	132	232	990	94,5	0,87	227	353	2,0	1750
FR2-355MX-6	160	285	990	94,2	0,86	365	265	2,6	1830
FR2-355L-6	200	355	990	94,5	0,86	420	290	2,6	1930
FR2-355LX-6	250	442	990	95	0,86	404	372	2,6	2035
FR2-355M-8	110	201	740	94	0,84	385	175	2,6	1860
FR2-355L-8	132	241	740	94,1	0,84	495	160	2,6	1950
FR2-355LX-8	160	292	740	94,2	0,84	575	165	2,6	2030

FR2 Frame 280-355 - IP55 - B3



Mounting Dimensions (mm)

Frame Size	Pole	Mounting Dimensions And Tolerance									
		A	B	B1	C	D	E	F	G	H	K
280S	4~8	457±1.5	368±1.4	---	190±3	75 ^{+0.030} / _{+0.011}	140±0.5	20 ⁰ / _{-0.052}	67,5 ⁰ / _{-0.2}	280 ⁰ / ₋₁	24 ^{+0.52} / ₀
280M	4~8	457±1.5	419±1.5	---	190±3	75 ^{+0.030} / _{+0.011}	140±0.5	20 ⁰ / _{-0.052}	67,5 ⁰ / _{-0.2}	280 ⁰ / ₋₁	24 ^{+0.52} / ₀
315S	4~8	508±1.5	406±1.5	---	216±4	80 ^{+0.030} / _{+0.011}	170±0.5	22 ⁰ / _{-0.052}	71 ⁰ / _{-0.2}	315 ⁰ / ₋₁	28 ^{+0.52} / ₀
315M,L	4~8	508±1.5	457±1.5	508±1.5	216±4	80 ^{+0.030} / _{+0.011}	170±0.5	22 ⁰ / _{-0.052}	71 ⁰ / _{-0.2}	315 ⁰ / ₋₁	28 ^{+0.52} / ₀
355M,L	4~8	610±1.6	560±1.5	630±1.6	254±4	100 ^{+0.035} / _{+0.013}	210±0.5	28 ⁰ / _{-0.052}	90 ⁰ / _{-0.2}	355 ⁰ / ₋₁	28 ^{+0.52} / ₀

Outline Dimensions (mm)

Frame Size	Pole	Outline Dimensions								
		AA	AB	AC	BB	HA	HD	LD	L	---
280S	4~8	85	545	550	490	35	685	215	1255	---
280M	4~8	85	545	550	540	35	685	215	1305	---
315S	4~8	120	630	625	680	48	845	257	1465	---
315M,L	4~8	120	630	625	680	48	845	257	1575	---
355M,L	4~8	116	730	710	750	52	965	284	1860	---

CONTACTS

Head Quarter

FELM srl

Via Morandi (Industrial Area)

20010 Inveruno (Mi) Italy

Tel. +39 02 97 289 454

Tel. +39 02 97 288 320

Fax +39 02 97 289 923

E-mail home@felm.it



FELM Office Germany

Heinrich-Busold-Strasse 47

D-61169 Fridberg (Hessen), Germany

Tel. (Off.) +49 6331 721606

Mobile +49 172 6729011

E-mail Jayant@jk-conrep.de

FELM Office China

Room 1002, Building 3#, No.139 Rd. SongShan

Jianye, Nanjing, Jiangsu, China

Te. +86 150 778 29 999

Fax +86 25 87 797 622

E-mail lidongming1974@vip.sina.com

FELM Office Middle East

Al Saalam Street, Al Darwish Building (NBAD building)

office no. 1403 Abu Dhabi (United Arab Emirates)

P.O. Box 45223

Office Ph. + 971-2-6710330

Office Fax + 971-2-6710255

mobile +971 50 4442093

WORLD WIDE SERVICE

Mobile +39 355 69 53 804

E-mail service@felm.it

